

## DRIVER, TRACK AND RESULTS

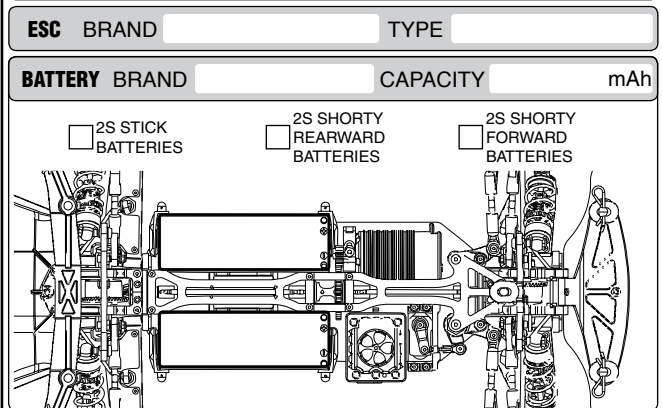
<b>DRIVER</b> _____		<b>COUNTRY</b> _____		<b>WEATHER</b> AIR TEMP _____ TRACK TEMP _____		<input type="checkbox"/> DRY <input type="checkbox"/> INTERMEDIATE <input type="checkbox"/> WET	
<b>TRACK</b> _____		<b>TRACTION</b> <input type="checkbox"/> LOW <input type="checkbox"/> MEDIUM <input type="checkbox"/> HIGH		<b>COMMENTS</b> _____			
<b>RACE</b> _____		<b>DATE</b> _____		<b>QUALY POS.</b> _____		<b>QUALY TIME</b> _____	
		<b>STARTING POS.</b> _____		<b>FINAL POS.</b> _____			

FRONT	SHOCK ABSORBERS	REAR
cst	OIL _____	cst
SPRINGS _____		
mm	REBOUND _____	mm
N° HOLES	∅ mm	PISTONS N° HOLES
	∅ mm	
<input type="checkbox"/> FLAT <input type="checkbox"/> CONICAL PISTON TYPE <input type="checkbox"/> FLAT <input type="checkbox"/> CONICAL		

ANTI-ROLL BARS	
FR ANTI-ROLL BAR _____ mm	RR ANTI-ROLL BAR _____ mm

DIFFERENTIAL OIL AND POSITION			
FRONT DIFF POSITION		REAR DIFF POSITION	
<input type="checkbox"/> LOW <input type="checkbox"/> MID LOW		<input type="checkbox"/> LOW <input type="checkbox"/> MID LOW	
<input type="checkbox"/> HIGH <input type="checkbox"/> MID HIGH		<input type="checkbox"/> HIGH <input type="checkbox"/> MID HIGH	
cst		cst	

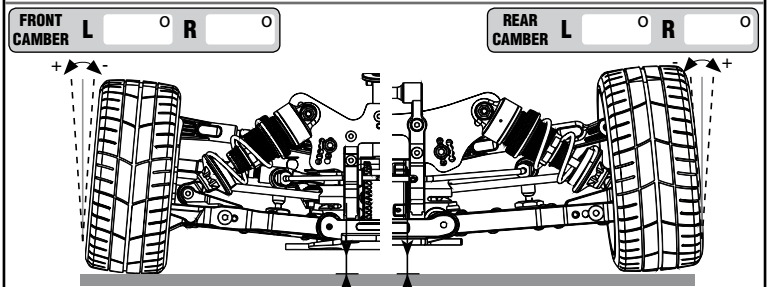
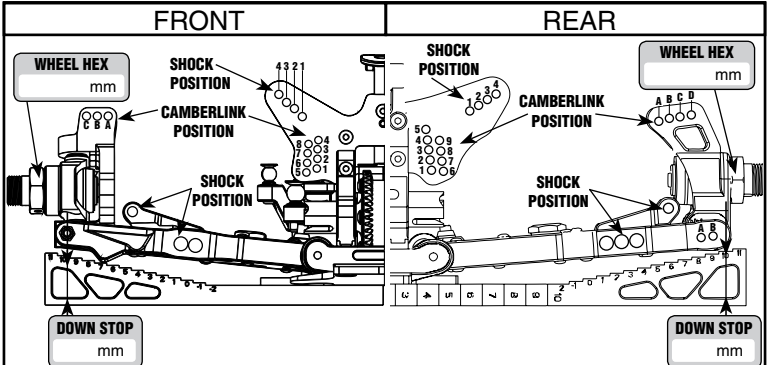
ELECTRONICS & GEARING	
MOTOR & PINION	
BRAND _____	TYPE _____
TIMMING _____	PINION _____ teeth
ESC BRAND _____ TYPE _____	
BATTERY BRAND _____ CAPACITY _____ mAh	
<input type="checkbox"/> 2S STICK BATTERIES <input type="checkbox"/> 2S SHORTY REARWARD BATTERIES <input type="checkbox"/> 2S SHORTY FORWARD BATTERIES	



WHEEL BASE	
<input type="checkbox"/> SHORT WHEELBASE <input type="checkbox"/> LONG WHEELBASE	

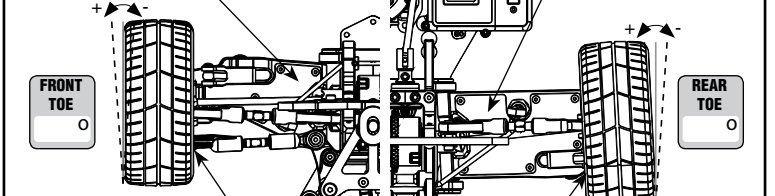
FRONT TIRES	Controlled Tire	REAR
MAKE _____	<input type="checkbox"/>	
TYPE _____		
INSERTS _____		
WHEELS _____		

AERODYNAMIC CONFIGURATION	
BODY BRAND & TYPE _____	BODY POSITION _____ mm
WING BRAND & TYPE _____	
<input type="checkbox"/> YES <input type="checkbox"/> NO REAR DIFFUSER	

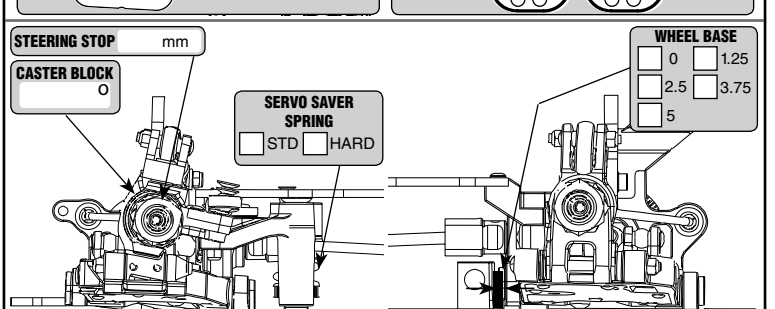


RIDE HEIGHT _____ mm	WITH TYRE ∅ _____ mm	RIDE HEIGHT _____ mm	WITH TYRE ∅ _____ mm
----------------------	----------------------	----------------------	----------------------

FRONT ARM SKIN		REAR ARM SKIN	
<input type="checkbox"/> TOP	<input type="checkbox"/> NYLON <input type="checkbox"/> CARBON	<input type="checkbox"/> TOP	<input type="checkbox"/> NYLON <input type="checkbox"/> CARBON
<input type="checkbox"/> BOTTOM	<input type="checkbox"/> NYLON <input type="checkbox"/> CARBON	<input type="checkbox"/> BOTTOM	<input type="checkbox"/> NYLON <input type="checkbox"/> CARBON



STEERING BLOCK ACKERMAN PLATE	REAR UPRIGHT ROLL CENTER INSERTS
OPTION TYPE _____	<input type="checkbox"/> <input type="checkbox"/> <input type="checkbox"/> <input type="checkbox"/>



SUSPENSION BRACKETS INSERTS	
FRONT FR INSERTS N° _____	REAR FR INSERTS N° _____
	REAR RR INSERTS N° _____

**REMARKS**